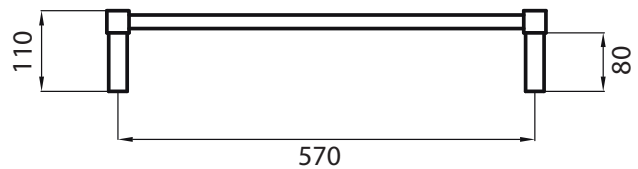
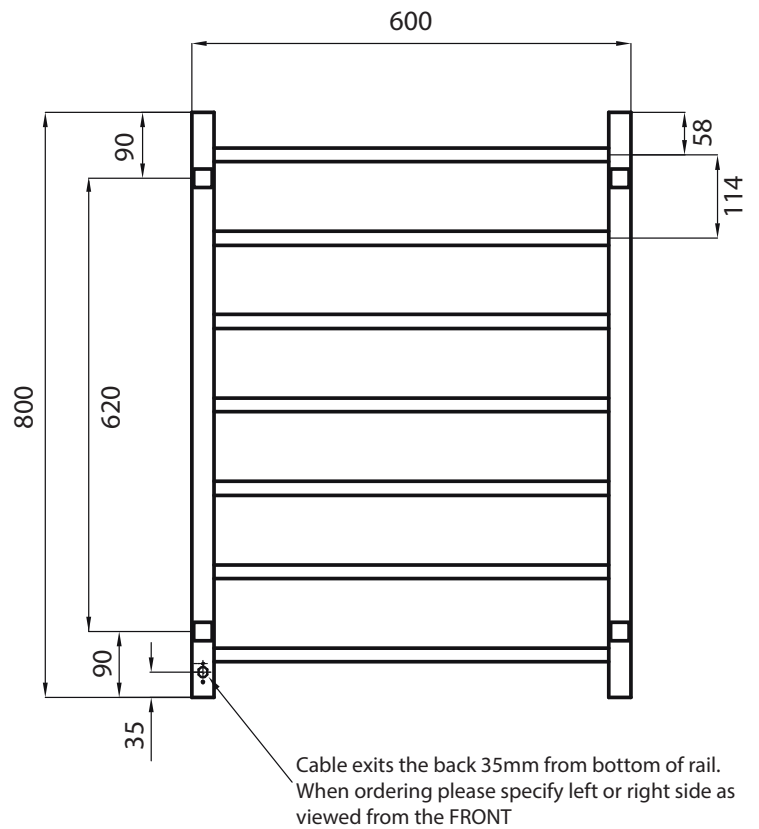


STR01

Specifications

- 600mm Wide
- 800mm High
- 304 Grade Stainless Steel
- Mirror Polished Finish
- Hard Wired or Plug In
- 80 Watts
- Vertical Bars 30mm x 30mm
- Horizontal Bars 19mm x 19mm
- 7 Bars
- Features - Square bars, evenly spaced
- Can be mounted upside down
- 110mm from wall
- IP Rating - IP55
- Approval - SAA
- 7 year warranty

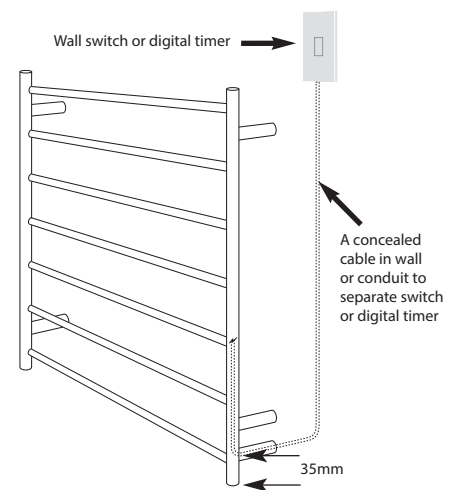
Technical Questions please call
08 6444 1164



Plug In



Hard Wired Concealed Cable



All measurements in mm