

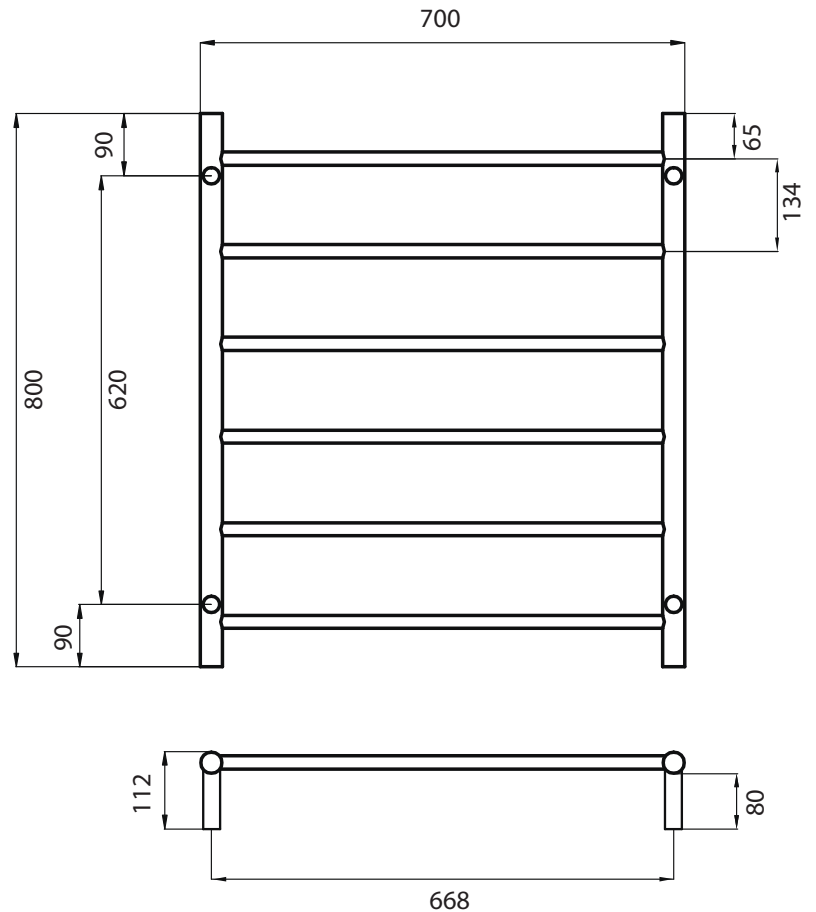


radiant

TOWEL RAILS

LTR01 Specifications

- 700mm Wide
- 800mm High
- 304 Grade Stainless Steel
- Mirror Polished Finish
- Non-heated
- Vertical Bars 32mm diameter
- Horizontal Bars 19mm diameter
- 6 Bars
- Features - Round Bars, evenly spaced
- Can be mounted upside down
- 112mm from wall
- 7 year warranty



Technical Questions please call
08 6444 1164

All measurements in mm